

AIR STORAGE

UN AND ASME STORAGE SYSTEMS

BAUER high pressure air storage systems meet the code requirements of both the United Nations Model Regulations and the American Society of Mechanical Engineers. Storage cylinders and storage systems are offered for 5000, 6000 and 7000 PSIG applications. Optional mounting racks are available.

› PRESSURE:

5000 PSIG (345 BAR)

6000 PSIG (414 BAR)

7000 PSIG (476 BAR)

› CONFIGURATION:

Vertical

Horizontal

› STORAGE:

Bulk

Bank

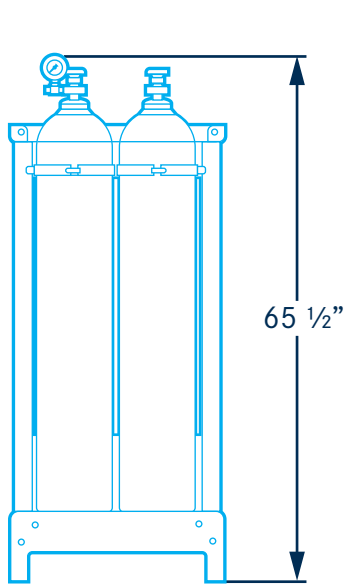


› UN STORAGE

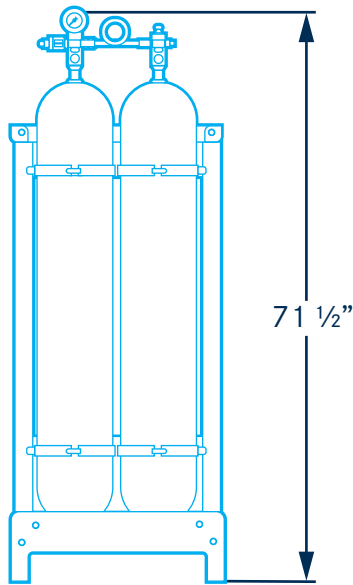


› ASME STORAGE

REFERENCE ASY-0759 FOR VERTICAL CONFIGURATIONS
AND ASY-0758 FOR HORIZONTAL CONFIGURATIONS

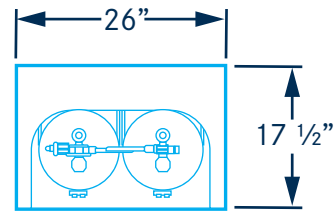


› UN STORAGE

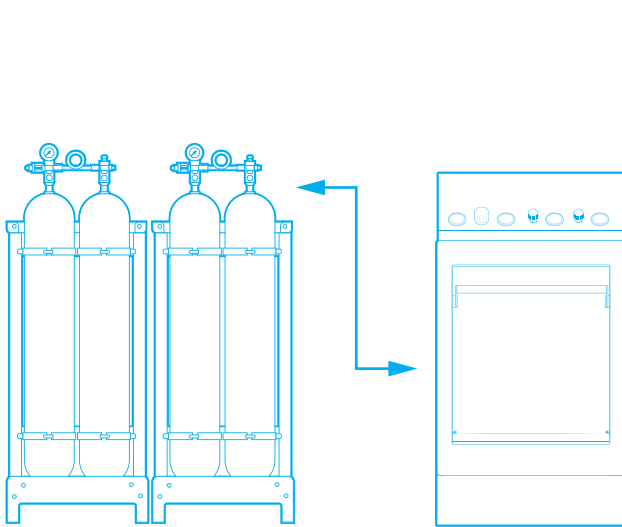


› ASME STORAGE

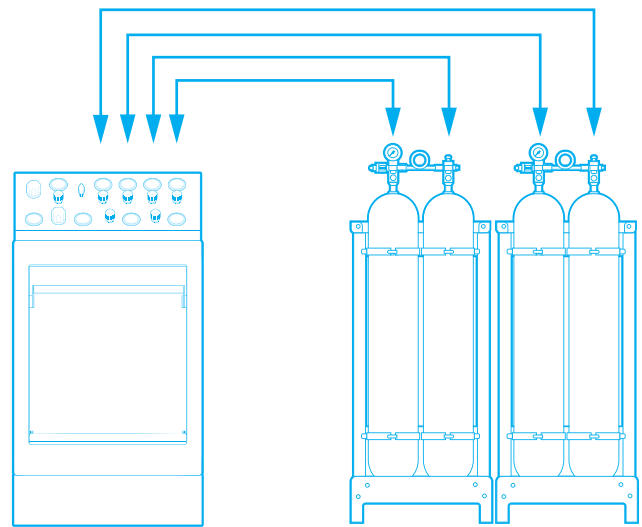
Model	Weight 2-Cylinder Rack	
	lbs	kg
UN 5000	475	215
UN 6000	525	238
ASME	935	424



TYPICAL SYSTEMS SHOWN BELOW



› BULK STORAGE SYSTEM
ASME 4/BANK



› FOUR BANK CASCADE STORAGE SYSTEM
ASME 4/BANK/1-1-1-1

A